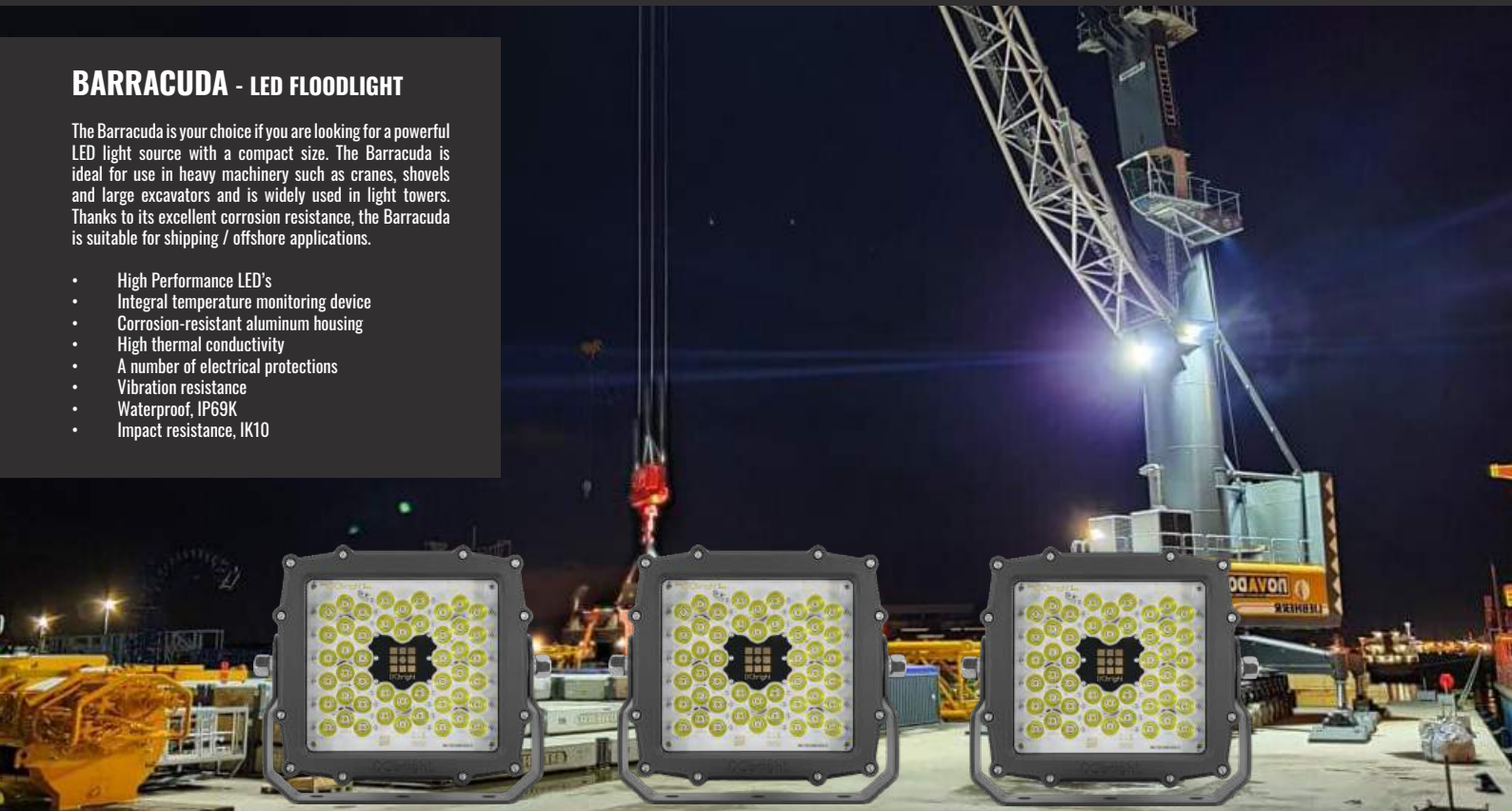


BARRACUDA - LED FLOODLIGHT

The Barracuda is your choice if you are looking for a powerful LED light source with a compact size. The Barracuda is ideal for use in heavy machinery such as cranes, shovels and large excavators and is widely used in light towers. Thanks to its excellent corrosion resistance, the Barracuda is suitable for shipping / offshore applications.

- High Performance LED's
- Integral temperature monitoring device
- Corrosion-resistant aluminum housing
- High thermal conductivity
- A number of electrical protections
- Vibration resistance
- Waterproof, IP69K
- Impact resistance, IK10



BA48 320AC

Power : 320W
 Light output : 44.100 lm
 Efficiency : 138 lm/W
 Voltage : 90-305VAC /
 180-528VAC

BA48 240AC

Power : 240W
 Light output : 32.600 lm
 Efficiency : 136 lm/W
 Voltage : 90-305VAC /
 180-528VAC

BA48 320DC

Power : 320W
 Light output : 40.800 lm
 Efficiency : 127 lm/W
 Voltage : 24V (20-35V)



Choosing the right optics ensures proper illumination of important area's



Various light colours allow for a brightly lit working environment at night

Barracuda Specifications

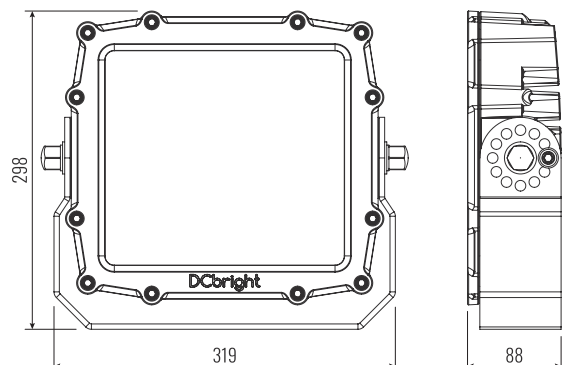
IP-rating : IP69K
 Expected life span : 145 000 hours, L80B10
 Light angle adjustment : +/- 240° in 30° steps

Weight and packaging

Lamp weight : 7.2 kg
 Bracket weight : 1.7 kg
 Gross weight : 10.1 kg
 Product dimension : 320 x 290 x 90 mm
 Packaging dimension : 380 x 350 x 150 mm

Available options

Light angles : 14° - 38° - 70° - 14x46°
 Light beam colour : 6500K - 4000K - 2700K - 2200K



BARRACUDA - 316L STAINLESS STEEL

The Barracuda in 316L stainless steel is your choice if you are looking for a powerful LED light source in compact size with superior corrosion resistance. This version of the Barracuda is ideal for use in environments where corrosion is most aggressive such as fishingships, liftvessels, chemical plants and various other marine and offshore applications.

- High Performance LED's
- Integral temperature monitoring device
- Corrosion-resistant 316L Stainless Steel housing
- High thermal conductivity
- A number of electrical protections
- Vibration resistance
- Waterproof, IP69K
- Impact resistance, IK10



BA48 320SS AC

Power : 320W
 Light output : 44.100 lm
 Efficiency : 138 lm/W
 Voltage : 90-305VAC /
 180-528VAC

BA48 240SS AC

Power : 240W
 Light output : 32.600 lm
 Efficiency : 136 lm/W
 Voltage : 90-305VAC /
 180-528VAC



Choosing the right optics ensures proper illumination of important area's



Various light colours allow for a brightly lit working environment at night

Barracuda Specifications

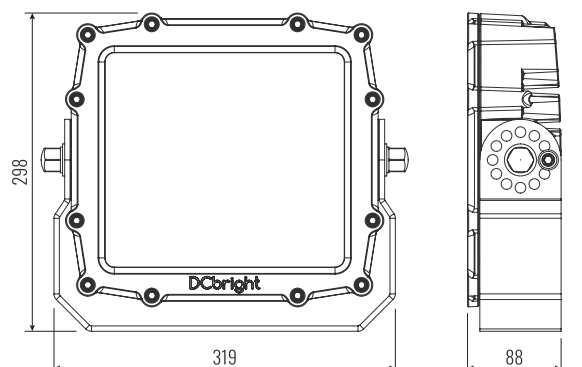
IP-rating : IP69K
 Expected life span : 145 000 hours, L80B10
 Light angle adjustment : +/- 240° in 30° steps

Weight and packaging

Lamp weight : 14.3 kg
 Bracket weight : 1.7 kg
 Gross weight : 16.0 kg
 Product dimension : 320 x 290 x 90 mm
 Packaging dimension : 380 x 350 x 150 mm

Available options

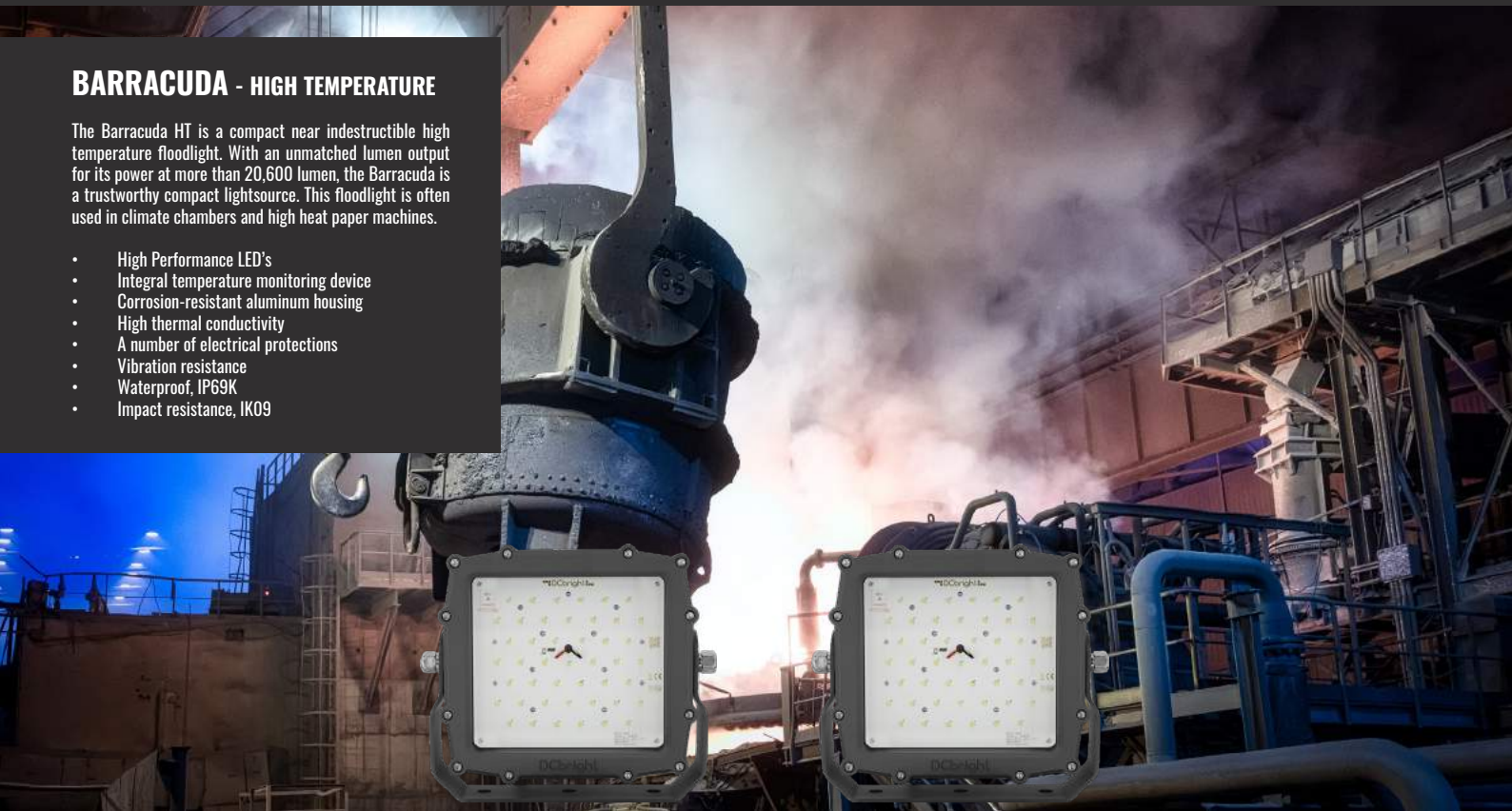
Light angles : 14° - 38° - 70° - 14x46°
 Light beam colour : 6500K - 4000K - 2700K - 2200K



BARRACUDA - HIGH TEMPERATURE

The Barracuda HT is a compact near indestructible high temperature floodlight. With an unmatched lumen output for its power at more than 20,600 lumen, the Barracuda is a trustworthy compact lightsource. This floodlight is often used in climate chambers and high heat paper machines.

- High Performance LED's
- Integral temperature monitoring device
- Corrosion-resistant aluminum housing
- High thermal conductivity
- A number of electrical protections
- Vibration resistance
- Waterproof, IP69K
- Impact resistance, IK09



BA48 120HT

Power : 120W
 Light output : 20.600 lm
 Efficiency : 172 lm/W
 Voltage : 90-305VAC

BA48 60HT

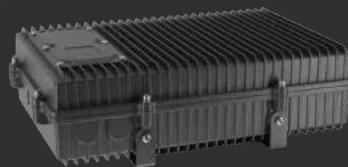
Power : 60W
 Light output : 10.300 lm
 Efficiency : 172 lm/W
 Voltage : 90-305VAC

High Temperature requires special preparations

When applying the high temperature models to installations in an high heat environment it is important to note that the life longevity of the installation is determined by the lifecycle of its weakest link. In case of led powered lights this is the driver unit. We therefor advise the use of external driverboxes which protect these drivers and provide the possibility to mount it externally. For full life longevity and warranty coverage the drivercomponent needs to be installed in an environment not exceeding +50°C.

Compatible BA48 Driverbox

IP-Rating	IP68
Max. temperature	50°C
Life expectancy	100.000 hours
Warranty	5 years



Light comes with a 15m cable that separates lamp from its driver.



Our BA48 120HT is capable of handling direct blasts of high heat like fire

BA48 HT Specifications

Temperature range : -45°C to +120°C
 IP-rating : IP69K
 Impact-rating : IK09
 Light angle adjustment : +/- 240° in 30° steps

Weight and packaging

Lamp weight : 7.2 kg
 Bracket weight : 1.7 kg
 Gross weight : 10.1 kg
 Product dimension : 320 x 290 x 90 mm
 Packaging dimension : 380 x 350 x 150 mm

Available options

Light angles : 120° | OP: 60° - 40° - 20°
 Light beam colour : 6500K (Other colors on request)

